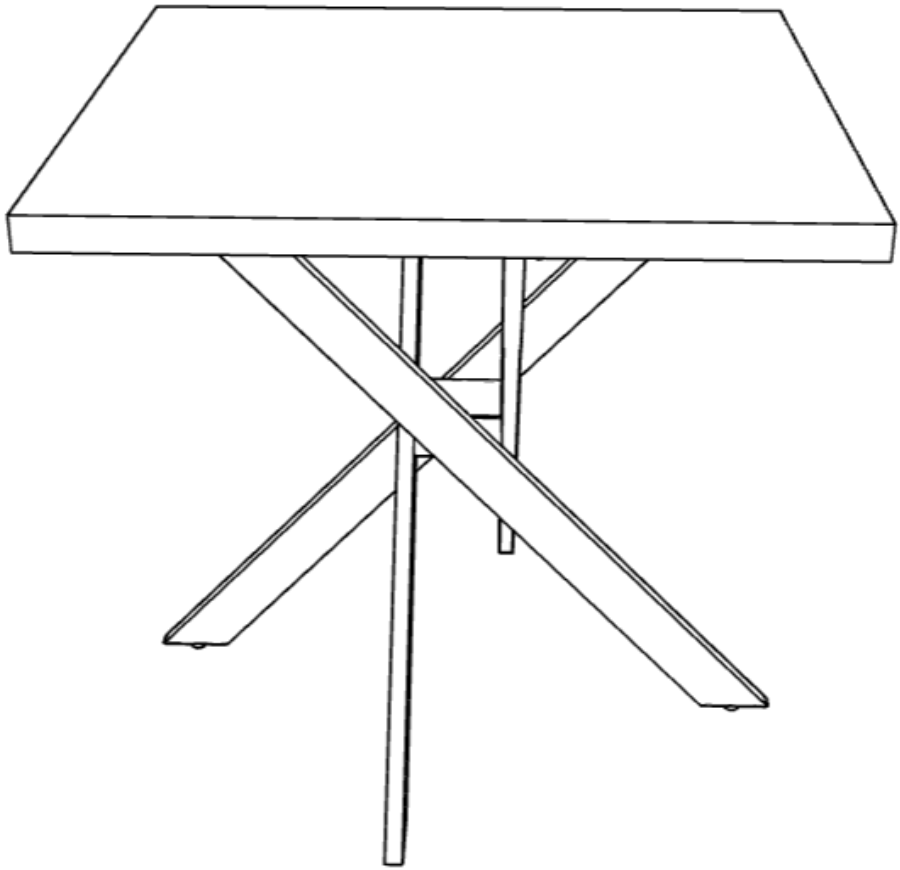


Assembly instruction



Complexity

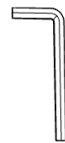


Time

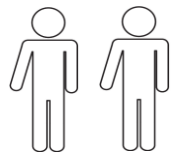


20min

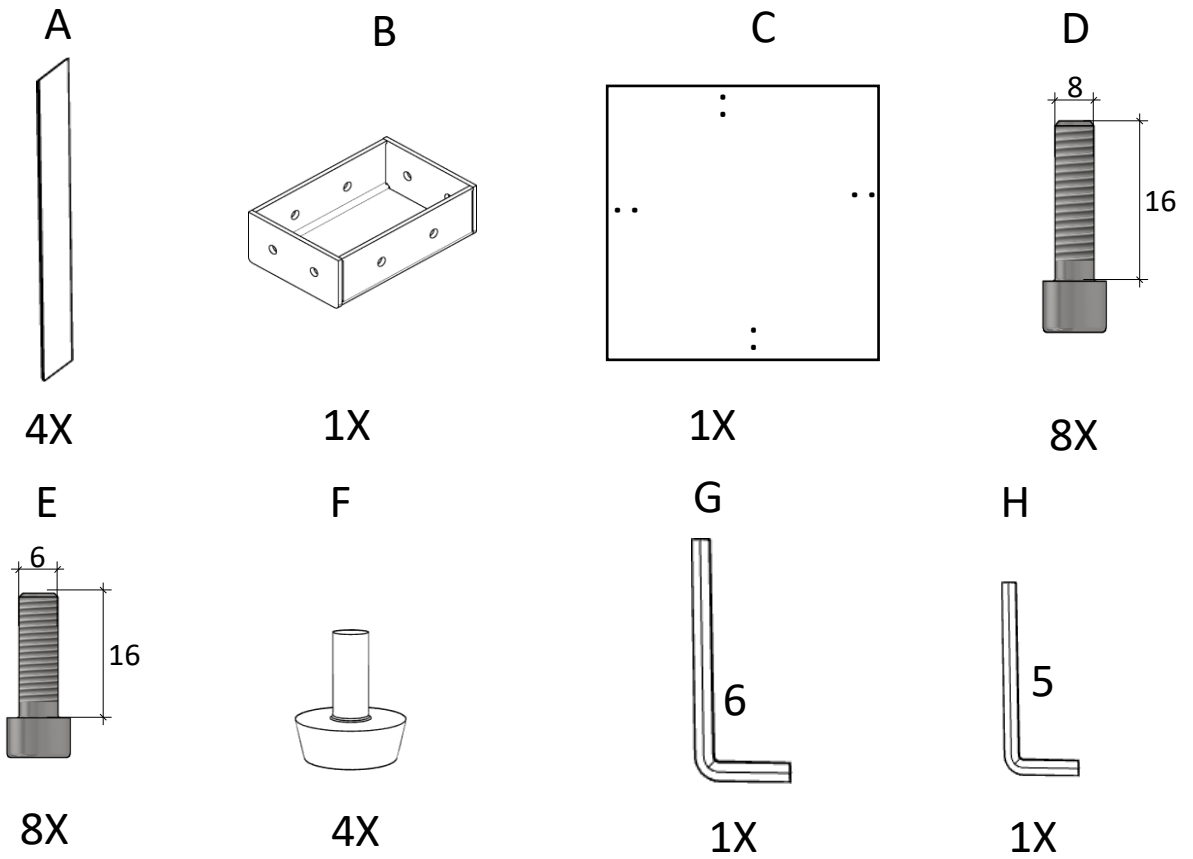
Instruments



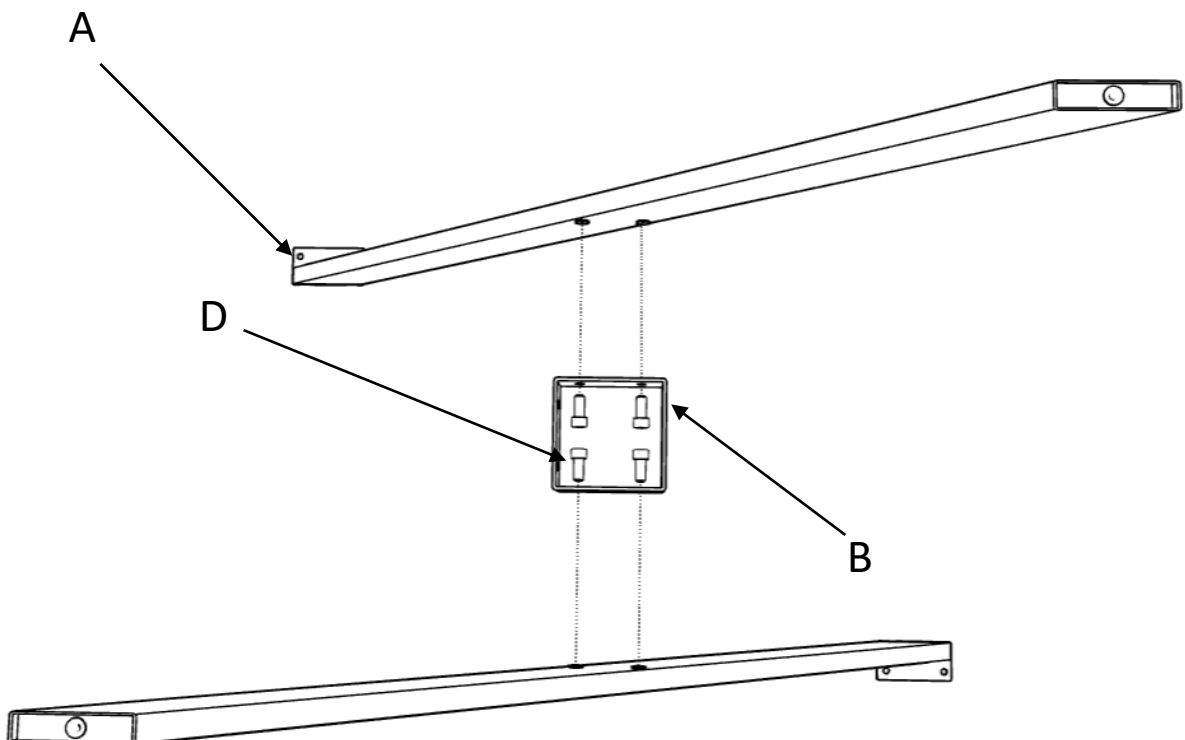
People



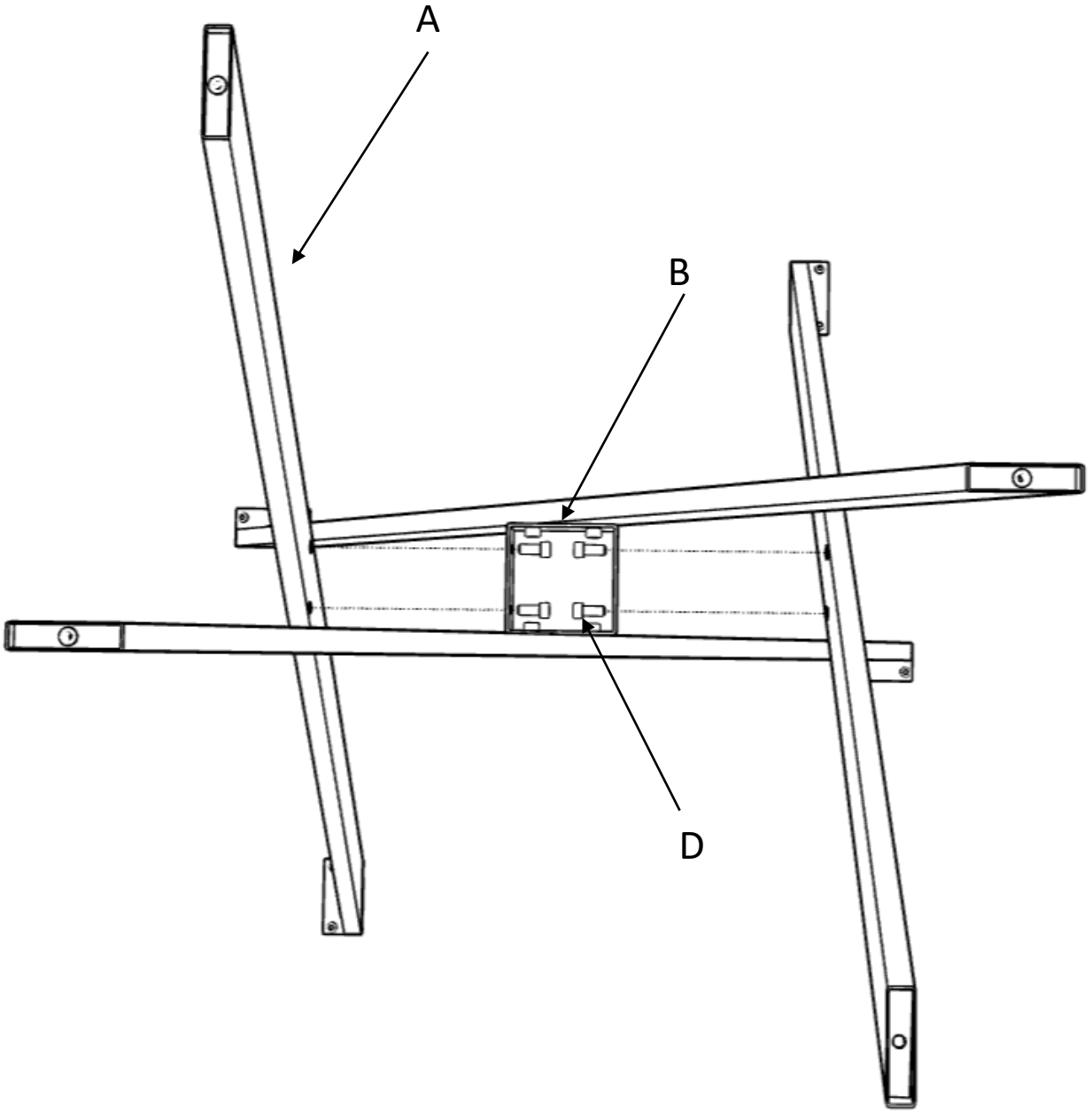
PARTS PROVIDED



STEP 1



STEP 2



STEP 3

